



**FOR MORE INFORMATION  
CALL (818) 991-9997**

**<http://www.biosolutions.org>**

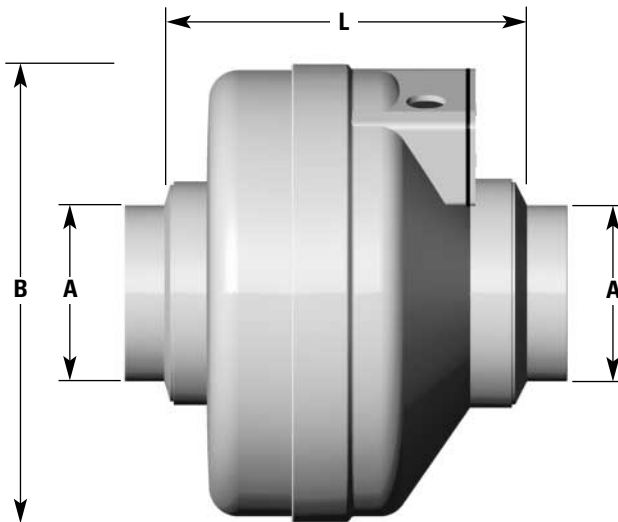
# Ventilation Fan

Submittal  
Data Sheet



## Applications

Oreco Ventilation Fans are used in some larger AdvanTex™ Treatment Systems to gently push air through the textile media, ensuring adequate oxygen is available for biological treatment.



## General

Oreco Ventilation Fans feature a UL recognized and UV protected resin housing, allowing the fan to be mounted in outdoor and wet locations, with air temperatures up to 140° F. The fans are caulked at the motor screws, wiring cables, and along the seams of the fan to prevent moisture from entering the housing. The wiring box features a water-proof gasket.

## Standard Models

FR100, FR150, FR225, FR250

## Specifications

### Dimensions

	Model FR100	Model FR150	Model FR225	Model FR250
A - Inlet/Outlet Diameter (in.)	3.875	5.875	7.75	9.75
B - Overall Housing Diameter (in.)	9.5	11.75	13.25	13.25
L - Fan Body Length (in.)	9.125	8.375	12.5	9

### Performance Data

	Model FR100	Model FR150	Model FR225	Model FR250
Watts	19	90	137	225
Volts	115	115	115	115
Power Costs Per Month (\$)*	\$1.09	\$5.16	\$7.89	\$12.96
CFM at 0" H <sub>2</sub> O Static Pressure	108	243	429	563
CFM at .4" H <sub>2</sub> O Static Pressure	72	196	366	493
CFM at .8" H <sub>2</sub> O Static Pressure	19	142	297	419
CFM at 1.5" H <sub>2</sub> O Static Pressure	na	18	168	294

\* approximate for continuously running fan, at national average power cost of \$.08/kWhr

## Materials of Construction:

Ventilation fan Housing: Thermoplastic resin (Noryl)